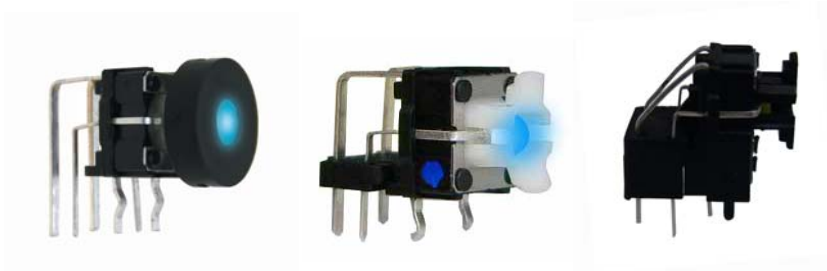


Feature -

- Small size
- LED illuminated
- Two color available
- Long life
- Right Angle terminal

Applications -

- Consumer Products
- Instrumentation
- Computer Products
- Communication Equipments



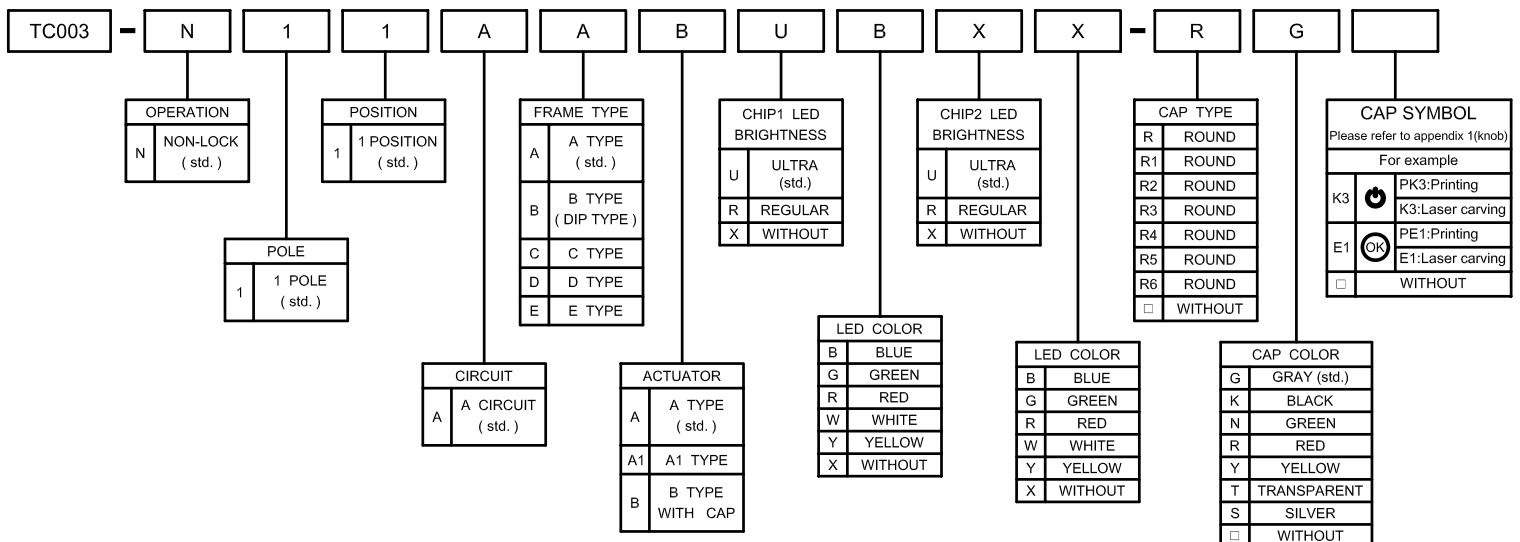
SPECIFICATIONS

SWITCH SPECIFICATIONS	
POLE - POSITION	1P1T , Right Angle Push on Type , with or w/o LED are Available
CONTACT RATING	12 V DC , 50 mA
CONTACT RESISTANCE	100 mΩ MAX. 1.5 V DC ; 100 mA , by Method of Voltage DROP
INSULATION RESISTANCE	100 MΩ MIN. 500 V DC
DIELECTRIC STRENGTH	Breakdown is not Allowable ; 500 V AC for 1 Minute
OPERATING FORCE	160 ± 50 gf
OPERATING LIFE	500,000 cycles
OPERATING TEMPERATURE RANGE	-20°C ~ 70°C
TOTAL TRAVEL	0.2 ± 0.1 mm

LED SPECIFICATIONS		Value / LED Color					
ATTENTION LEDs are Electrostatic Sensitive devices	Unit	Blue	Green	Red	White	Yellow	
		FORWARD CURRENT	If	mA	10	20	20
REVERSE VOLTAGE	Vr	V	5.0	5.0	5.0	5.0	5.0
REVERSE CURRENT	Ir	μA	10	10	10	10	10
FORWARD VOLTAGE	Vf	V	@ 10mA 3.0-4.0	2.1-2.5	2.0-2.5	@ 2mA 2.8-4.0	2.0-2.5
LUMINOUS INTENSITY	Iv	mcd	@ 10mA 200	800	1800	@ 2mA 12	1800

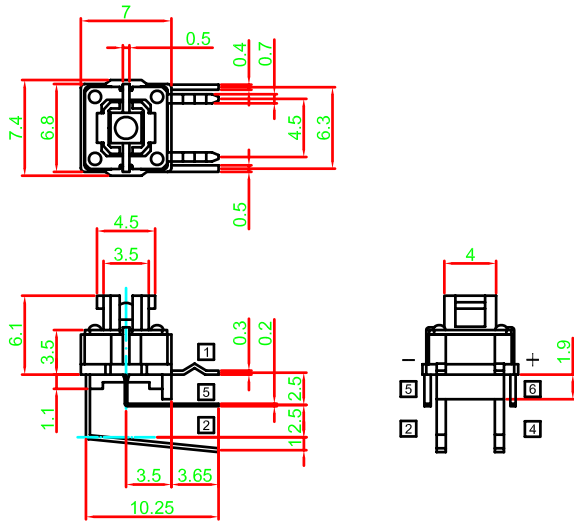
Physical and electrical information of LED will be provided upon customer's request on switches .

HOW TO ORDER

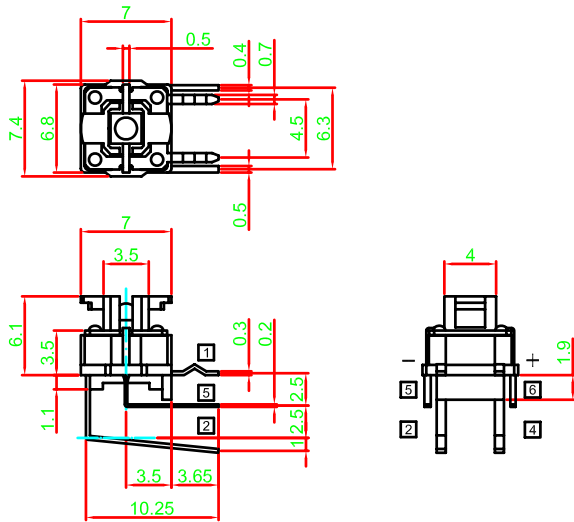
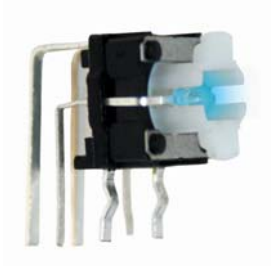


► DIMENSION

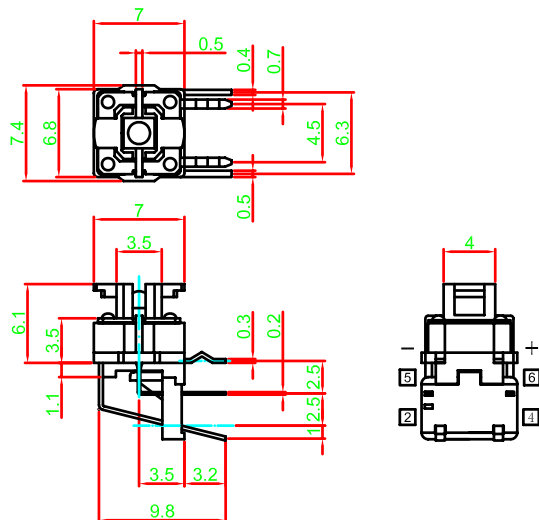
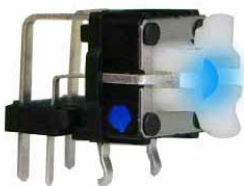
TC003-N11AAA □□□□



TC003-N11AAA1 □□□□

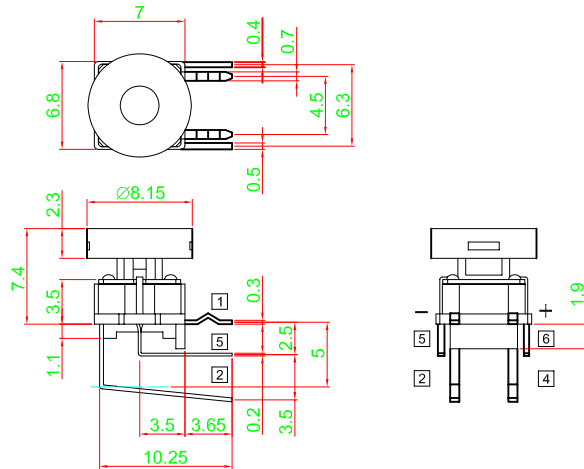


TC003-N11ACA1 □□□□

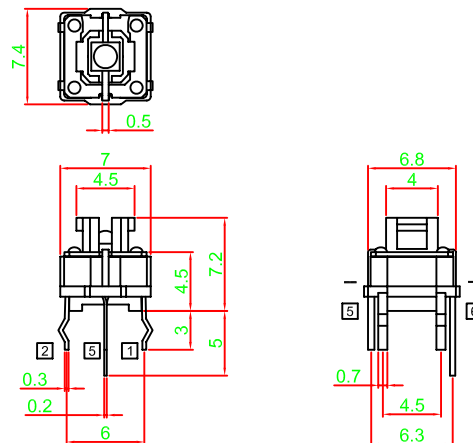


► DIMENSION

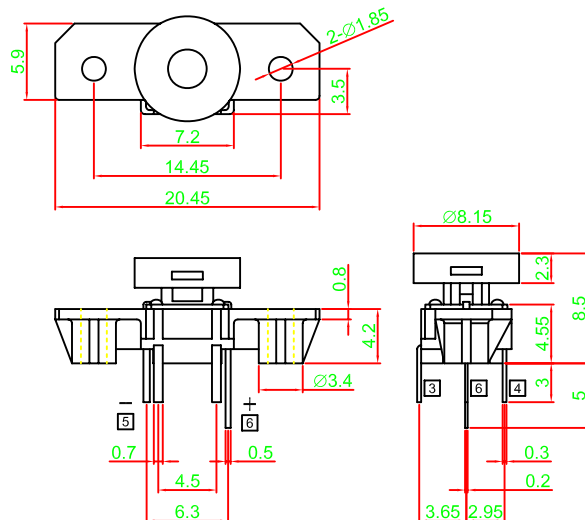
TC003-N11AAB - R



TC003-N11ABA

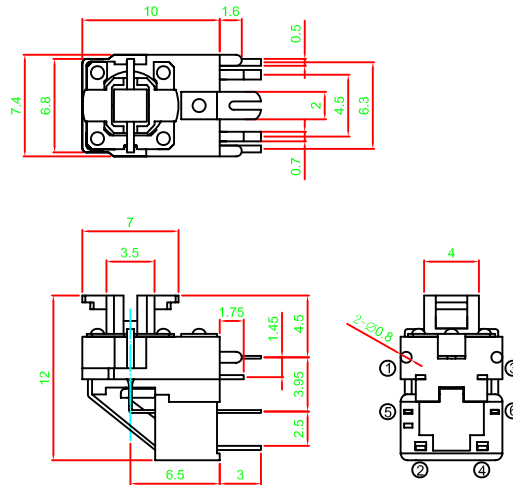


TC003-N11ADB - R

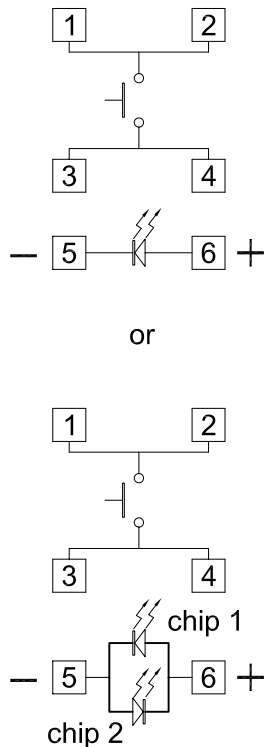


► DIMENSION

TC003-N11AEA1 □ □ □ □



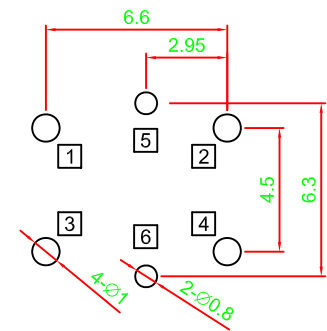
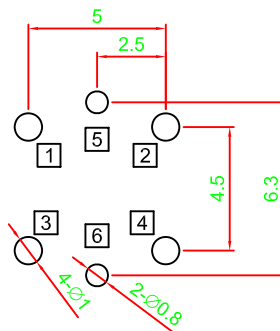
► SCHEMATIC



► P.C.B LAYOUT

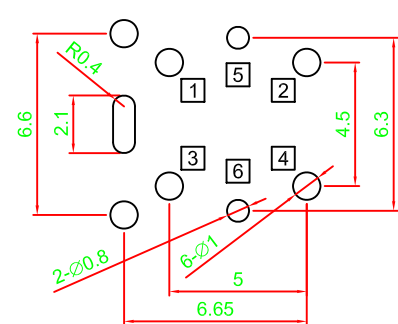
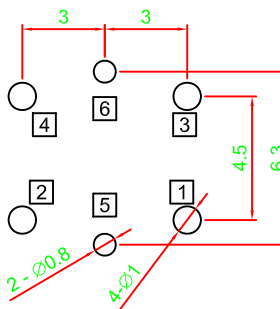
RIGHT ANGLE TYPE

FRAME : D



DIP TYPE

FRAME : E


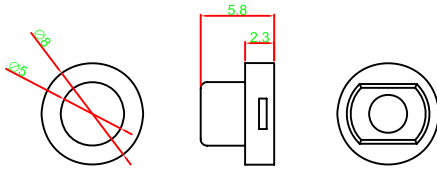

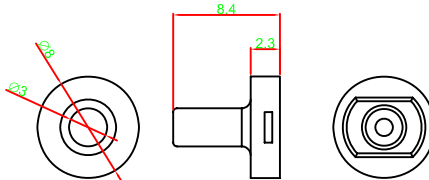

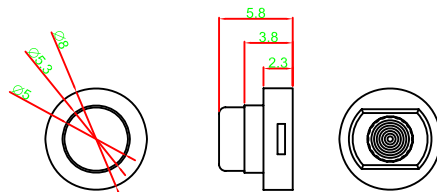

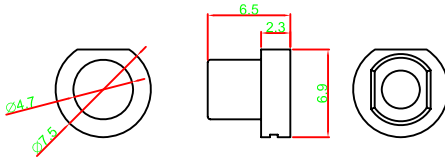

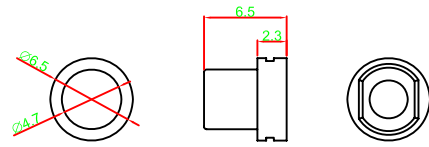

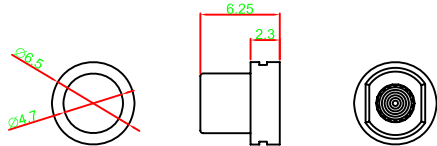


► MATERIAL

- COVER : PA
- ACTUATOR : PA + GF
- BASE FRAME : PA + GF
- BRASS TERMINAL : SILVER PLATING
- STEADY PLATE : SUS

► UNIT WEIGHT

- TC003-N11AAA □ □ □ □ : 0.35 ± 0.05 g / pc
- TC003-N11AAA1 □ □ □ □ : 0.35 ± 0.05 g / pc
- TC003-N11ACA1 □ □ □ □ : 0.45 ± 0.05 g / pc
- TC003-N11AAB □ □ □ □ - □ □ : 0.47 ± 0.05 g / pc
- TC003-N11ABA □ □ □ □ : 0.32 ± 0.05 g / pc

▶ KNOB OPTION	
TC003-KNOB-R1	 
TC003-KNOB-R2	 
TC003-KNOB-R3	 
TC003-KNOB-R4	 
TC003-KNOB-R5	 
TC003-KNOB-R6	 
TC003-KNOB-R7	