

WH9011-1 塑料轴旋转式碳膜电位器

(WH9011-1 ROTARY POTENTIOMETERS WITH PLASTIC SHAFT)

一般事项

General

□此规格适用于电子设备之可变电阻器。

-This specification is applied to potentiometers used for electronic equipment.

□使用温度范围：-20°~70°

-Operating temperature: -20°~70°

特点

Features

□电阻体以嵌入式树脂包覆，防尘性、耐焊剂性佳

-Insert molding with resin around the resistor prevents flux build-up

□本体积只有 9.5mm，小型化最实用

-Small, only 9.5mm wide

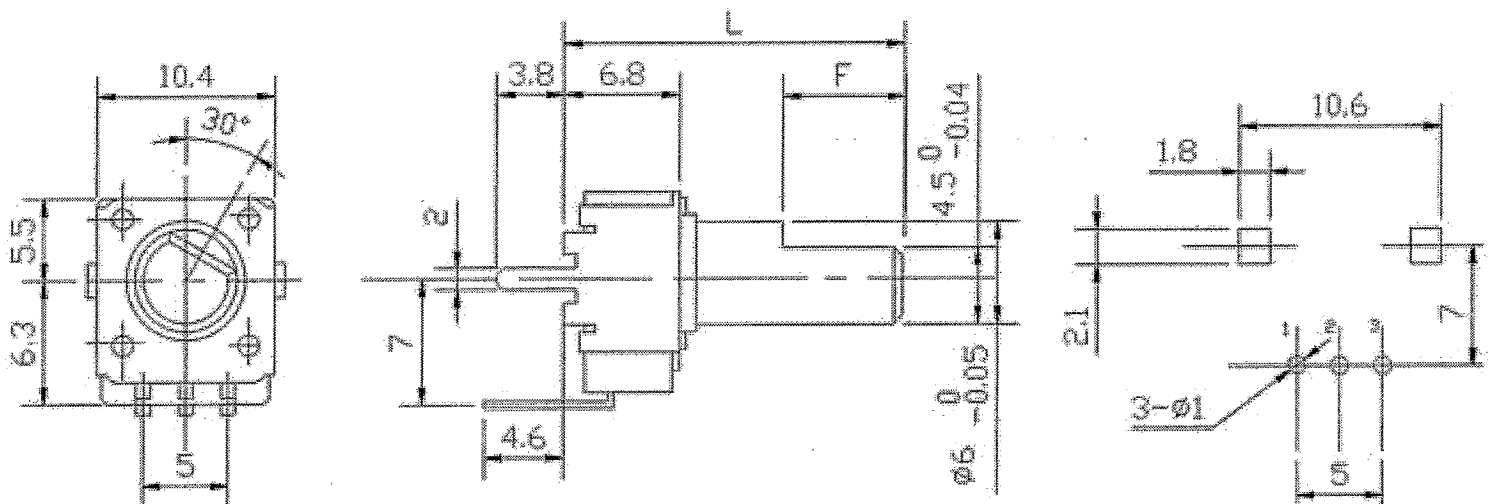
用途

Applications

□多媒体，DVD，汽车音箱等

-Computer speaker, DVD, Car stereos etc

外形图及安装尺寸 OUTLINE DRAWING AND MOUNTING HOLE DETAIL



性能说明 CHARACTERISTICS

项目 ITEM		规格 SPECIFICATION
电气性能 Electrical Characteristics	工作温度 Operating Temperature	(-20°C) ~ (+70°C)
	总阻值 Total Resistance	1KΩ~2MΩ
	额定功率(在 70°C时) Rated Power (at 70°C)	B:0.05W ; A、C:0.033W
	最大工作电压 Max Operation Voltage	Curve B:AC50V; Other curve B AC25V
	绝缘电阻 Insulation Resistance	More than 100MΩ at DC250V
	抗电强度 Dielectric	AC300V,1minute
	转动噪音 Rotational Noise	≤47mv
	阻值允许偏差 Allow Desistance Tolerance	±20%
	终端电阻 Terminal resistance	10Ωmax
	电阻规律 Resistance Law	A(lin)、B(log)、C(Alog)
	残留电阻 Residual Resistance	
		250 KΩ>R>10 KΩ 20Ωmax
		10 KΩ≥R 10Ωmax
机械性能 Mechanical Characteristics	旋转力矩 Rotational Torque	1~8mN.m (10~80gf.cm)
	总旋转角度 Total Rotation Angle	300°±10°
	轴推拉强度 Push Pull Strength	5Kgf
	止档强度 Shaft Stop Strength	0.4N.m (4Kgf.cm)
	机械寿命 Mechanical Life	10,000 cycles
焊接 Soldering		235°C±5°C: ≤3s