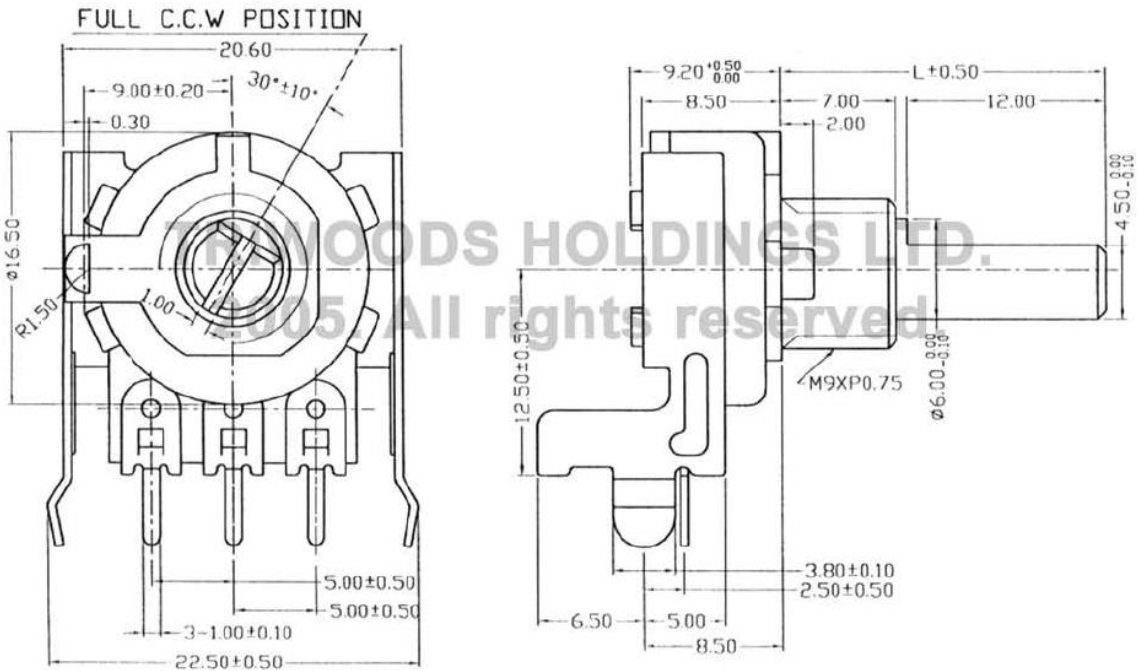
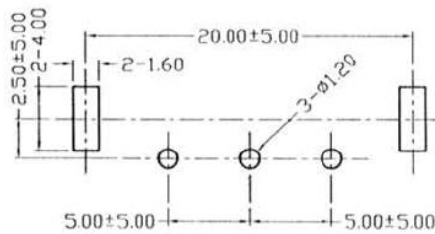


APPEARANCE

DRAWING



L	20	25	30
---	----	----	----



RECOMMEND P.C.B LAYOUT

TP R-162K-1

DRAWING NO	REV	SHEET/OF
TEC-WI-E.WX-142	B1	