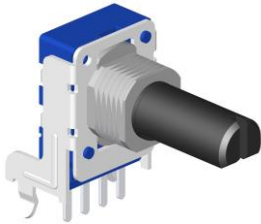




11mm Snap-in Insulated Potentiometers

RK1113N



Part Number

RK1113N – B 50K , L- 20 F / H=10

Taper

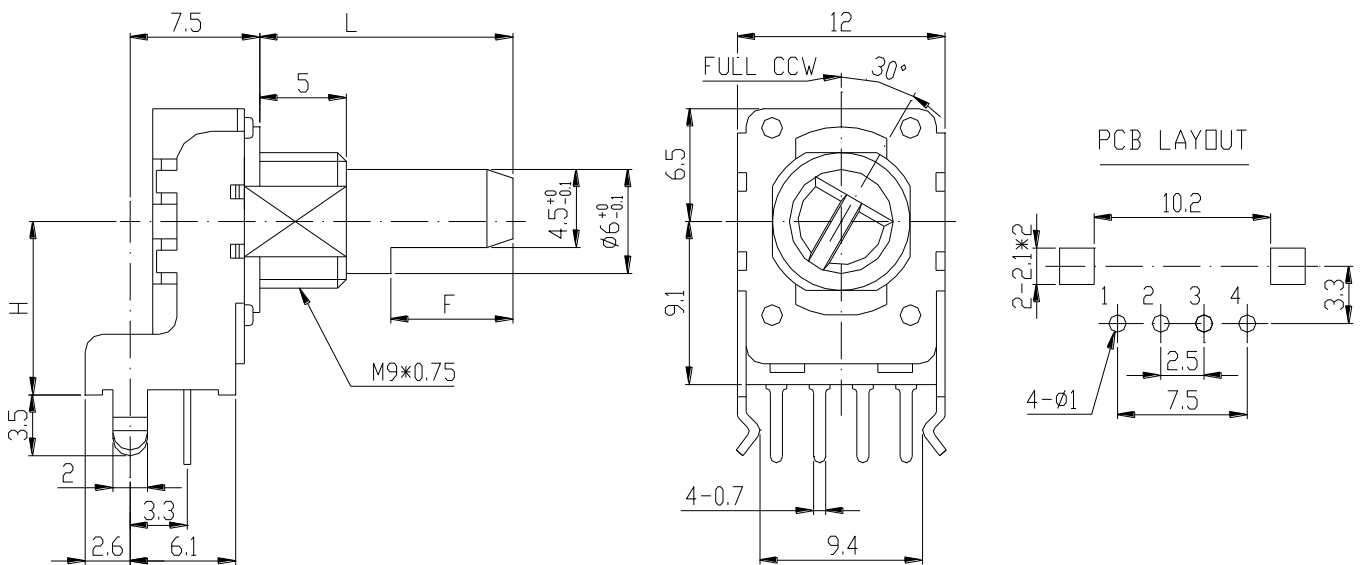
Shaft Length

High

Resistance value

Shaft Type

Dimensions

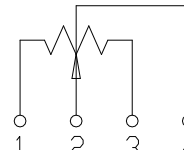
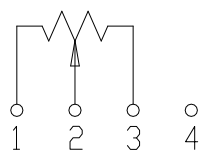


H	10	12.5
----------	-----------	-------------

Circuit Explanation

Single Standard

Single Center TAP





11mm Snap-in Insulated Potentiometers

Shaft Type

KC Type						
L	12.5	15	17.5	20	22.5	25
A	7	7	12	12	12	12

F Type						
L	12.5	15	17.5	20	22.5	25
F	7	7	12	12	12	12

**11mm Snap-in Insulated Potentiometers****General**

Operating temperature	-10 °C ~ +70 °C
Manual soldering	300 °C Max 3sec

Electrical Characteristics

Total resistance	5K Ω ~ 500K Ω
Resistance tolerance	$\pm 20\%$
Resistance taper	A B C
Sliding noise	Less than 80 mV
Residual resistance	Less than 20 Ω
Insulation resistance	More than 100M Ω at DC 500V
Rated power(W)	0.05W
Max. Operating voltage	AC 50V / DC 20V
Withstand voltage	1 Minute at AC 500 V

Mechanical Characteristics

Total rotational angle	300° \pm 5°
Rotational torque	15 ~ 150 gf.cm
Shaft push-pull strength	8Kgf.cm Max
Rotational stopper strength	6Kgf.cm Max
CC torque	<input type="checkbox"/> 50 ~ 150 gf.cm
Rotational life	15,000 Cycles.