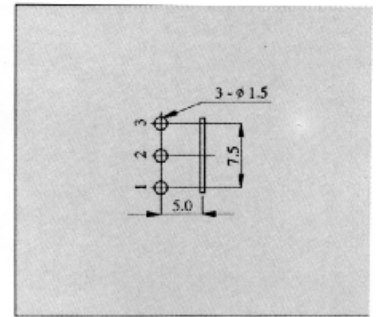
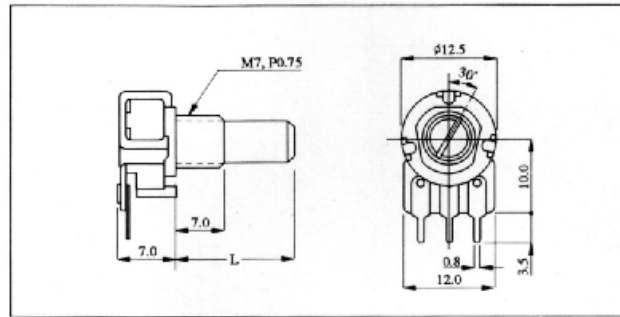


RV 123LN(PH)



SPECIFICATIONS 特性

ELECTRICAL 電器特性	
RESISTANCE RANGE 阻值範圍	500Ω - 1MΩ
RESISTANCE TOLERANCE 阻值誤差	± 20%
RESISTANCE TAPER 電阻規律	A. B. C. D. W
RESIDUAL RESISTANCE 殘留電阻 Between Terminal 1 & 2 Between Terminal 2 & 3	10Ω/10Ω
POWER RATING 額定功率	0.1W
INSULATION RESISTANCE 絕緣電阻	50MΩ Min at 500V DC
WITHSTAND VOLTAGE 耐電壓	1 Min at 500V AC

MECHANICAL 機械特性	
ROTATION ANGLE 旋轉角	300° ± 5°
ROTATIONAL TORQUE 旋轉力矩	20 - 250 gf. cm
STOP STRENGTH 止擋強度	3 Kgf. cm
ROTATIONAL NOISE 轉動噪音	47 (Mv)

DURABILITY 耐用性	
ROTATIONAL LIFE 旋轉壽命	15,000 Cycles

