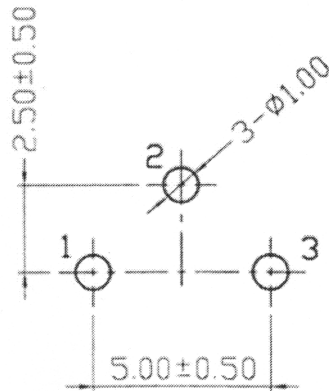
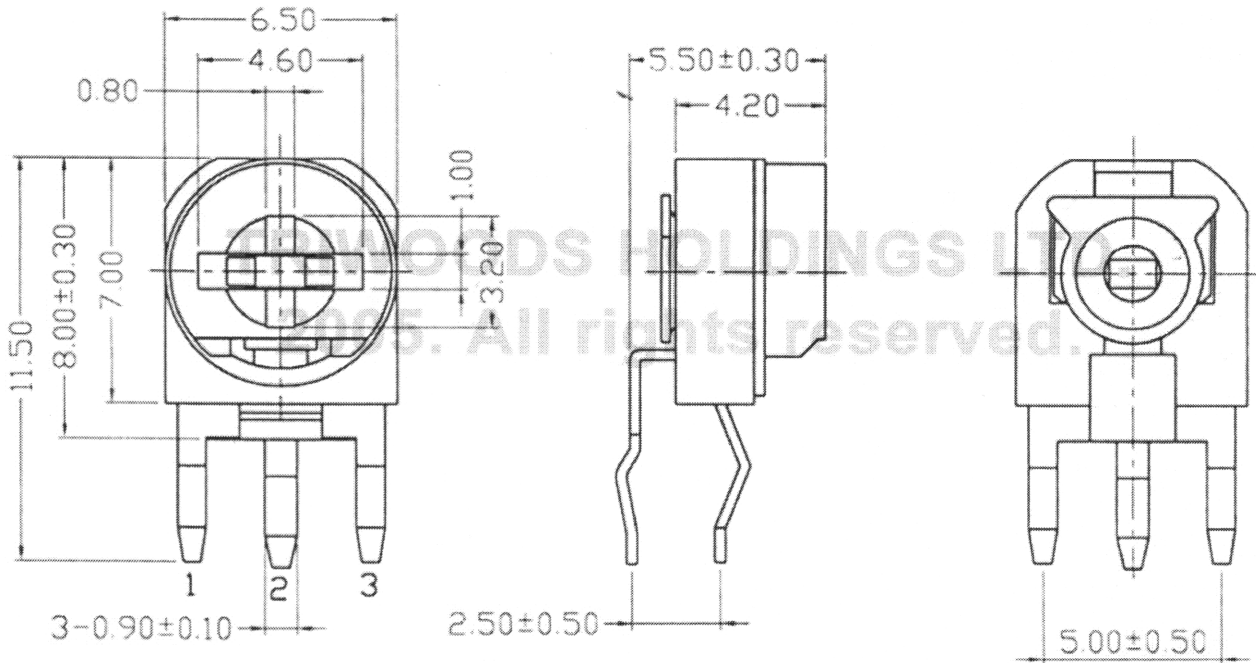
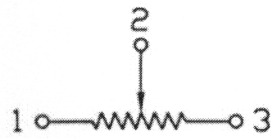


APPEARANCE

DRAWING



RECOMMEND P.C.B LAYOUT



CIRCUIT DIAGRAM

未注角度	±10°
未注公差 0-10mm	±0.3mm
未注公差 10-60mm	±0.5mm

RM-063

DRAWING NO	REV	SHEET/OF
TEC-WI-E.WX-046	B3	