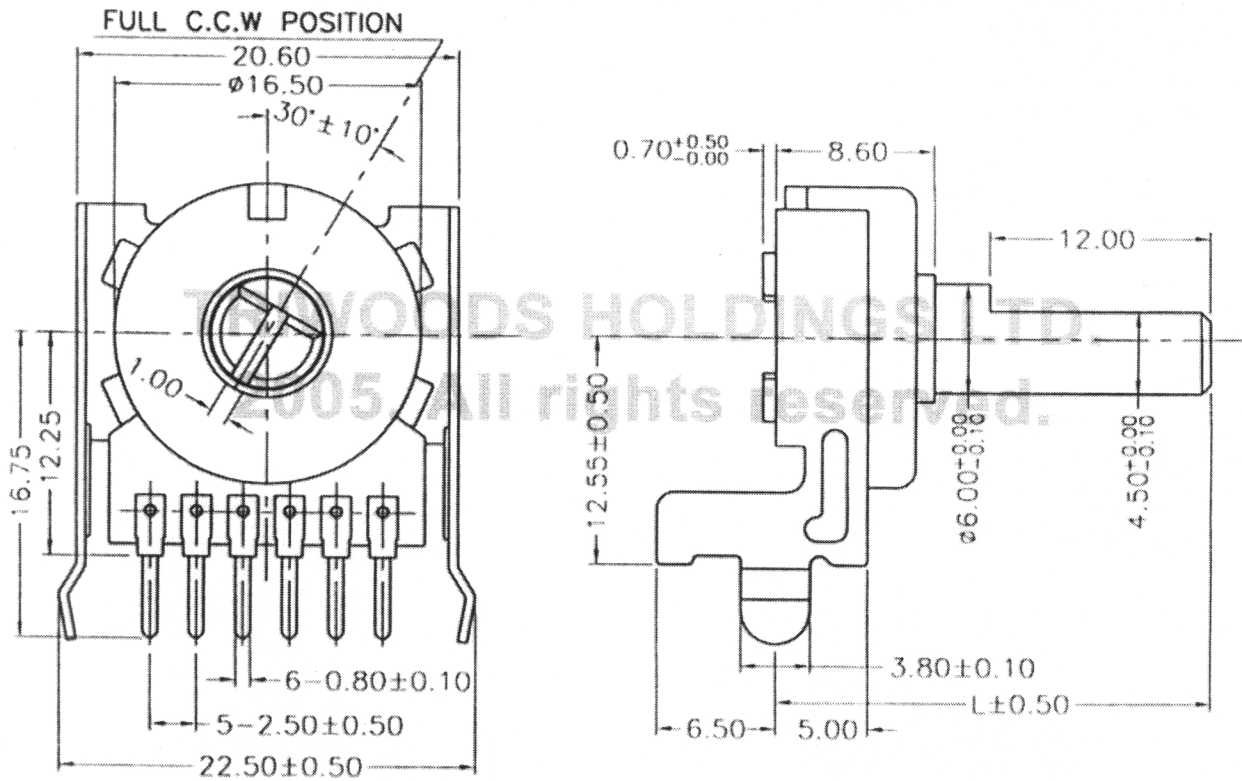
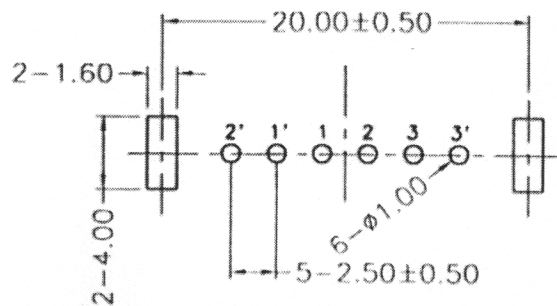


# APPEARANCE

# DRAWING



L	20	25	30	35	40
TRIM SIZE	18.5	23.5	28.5	33.5	38.5



RECOMMEND P.C.B LAYOUT

R-164K

DRAWING NO	REV	SHEET/OF
TEC-WI-E.WX-147	B1	