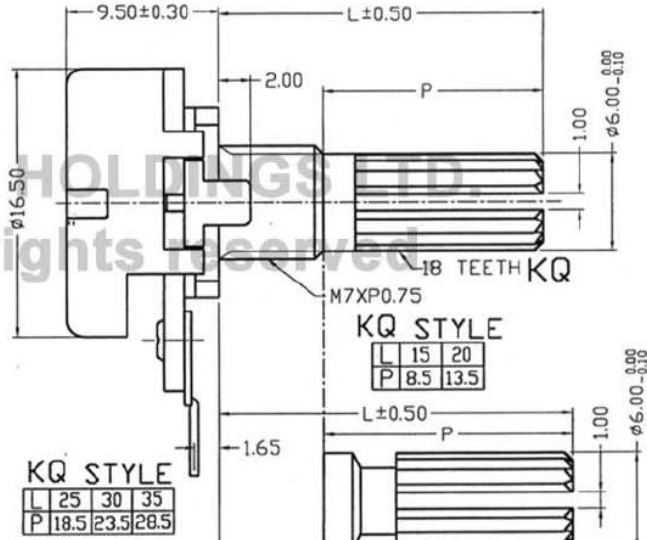
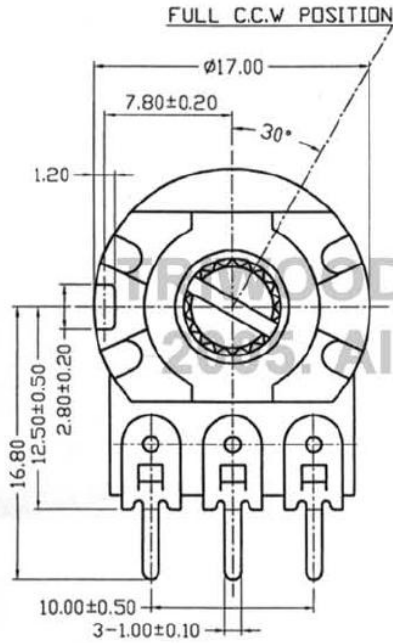


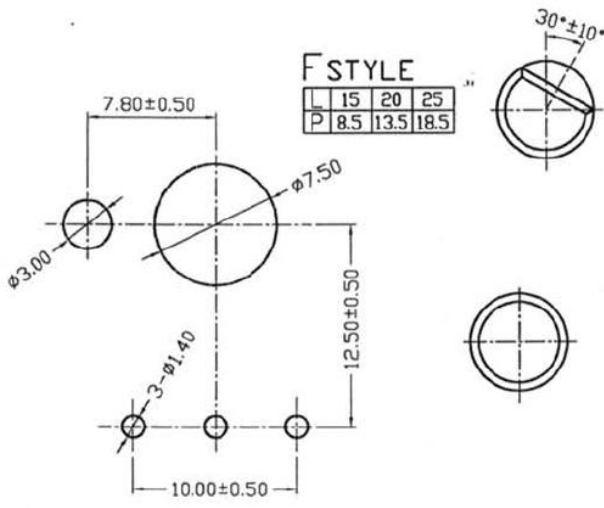
# APPEARANCE

# DRAWING



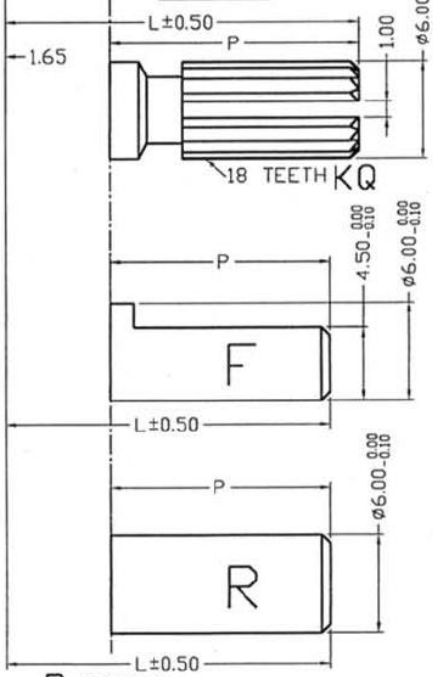
KQ STYLE

|   |      |      |      |
|---|------|------|------|
| L | 25   | 30   | 35   |
| P | 18.5 | 23.5 | 28.5 |



F STYLE

|   |     |      |      |
|---|-----|------|------|
| L | 15  | 20   | 25   |
| P | 8.5 | 13.5 | 18.5 |



R STYLE

|   |     |      |      |      |      |
|---|-----|------|------|------|------|
| L | 15  | 20   | 25   | 30   | 35   |
| R | 8.5 | 13.5 | 18.5 | 23.5 | 28.5 |

RECOMMEND P.C.B LAYOUT

|              |        |
|--------------|--------|
| 未注角度         | ±10°   |
| 未注公差 0-10mm  | ±0.3mm |
| 未注公差 10-60mm | ±0.5mm |

## TP R-16KN

|                 |     |          |
|-----------------|-----|----------|
| DRAWING NO      | REV | SHEET/OF |
| TEC-WI-E.WX-104 | B2  | 1/1      |