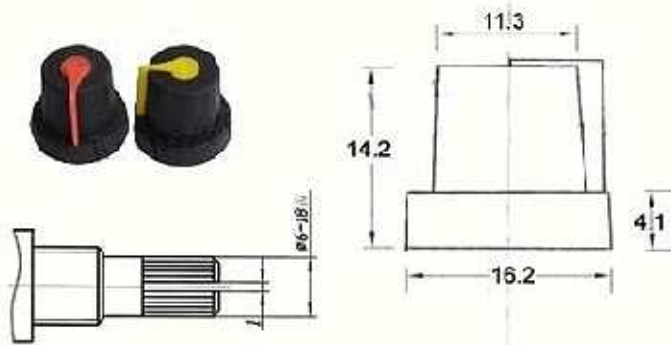


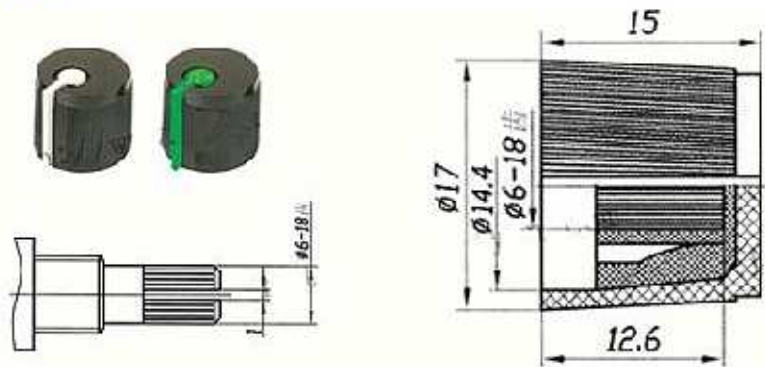
KNOBS

NO.1001



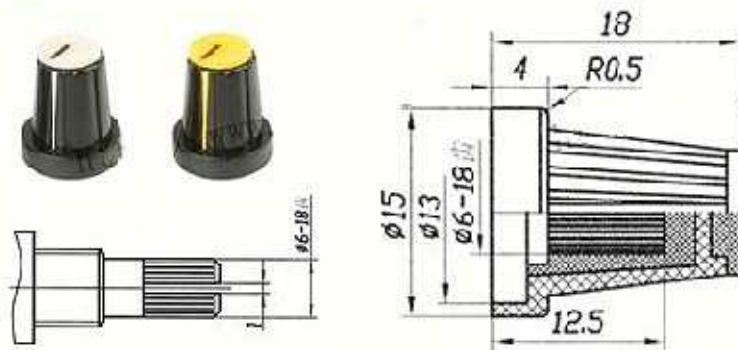
Description
 Material: P.P + Rubber
 Shaft hole: 6 mm 18 teeth.

NO.1003



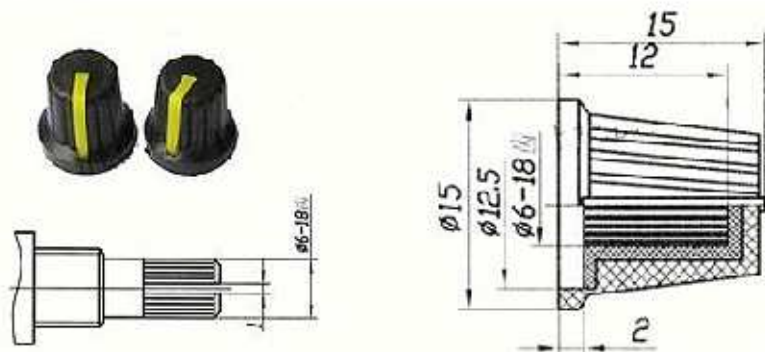
Description
 Material: P. P+P. P
 Shaft hole: 6mm

NO.1006



Description
 Material: P. P+P. P
 Shaft hole: 6mm

NO.1007



Description
 Material: P. P+P. P
 Shaft hole: 6mm