

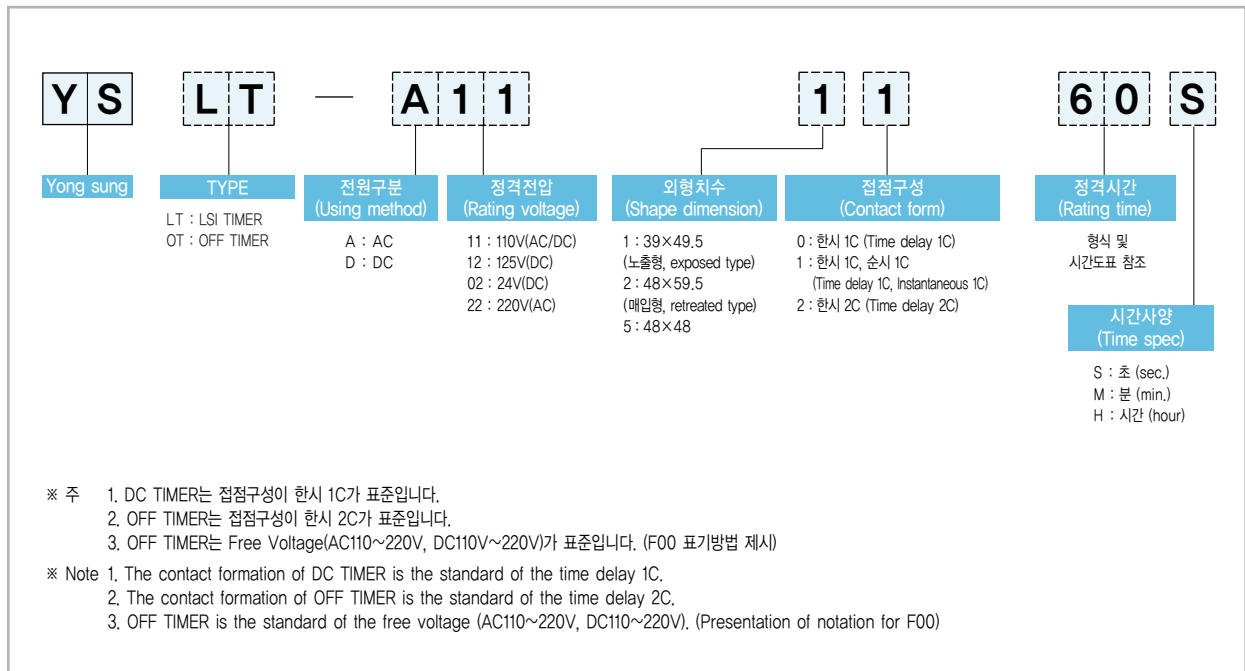
# 12

## 타이머류 TIMERS

12-1 타이머	12-1 Timer
12-2 Y-△ 타이머	12-2 Y-△ Timer
12-3 후리카 타이머	12-3 Flicker Timer
12-4 디지털 타이머	12-4 Digital Timer

### 12-1 타이머 Timer

#### 형식 구분도 | Type Classification Diagram



#### 특징 | Features

- Timer 전용 IC를 사용한 발진계수 주파수분할방식입니다.
- 0.1초~24시간의 광범위한 시간 사양입니다.
- 출력부는 고신뢰성의 Power Relay를 사용하였습니다.
- Power ON, Time UP 표시등으로 확실한 동작 상태가 표시됩니다.
- This is oscillating coefficient frequency dividing method using timer exclusive IC.
- Wide time specification from 0.1 sec. to 24 hours.
- Power relay installed in output part for high reliability.
- Operating state clearly indicated by pilot lamp (Power ON, Time UP).

**성능 개요 | Performance Summary**

항 목 (Item)		성 능 (Performance)
반복오차 (Repetition error)		정격시간의 ±0.5% (±0.5% in rating time)
Set 오차 (Set error)		정격시간의 ±5% (±5% in rating time)
Relay 접점정격 (Relay Contact rating)		LT : AC220V 3A (Resistance Load) OT : AC250V 0.3A (Resistance Load)
기계적수명 (Mechanical lifetime)		above 5,000,000 times
허용전압변동범위 (Allowable voltage variation range)		정격전압의 ±10% (±10% in rating voltage)
접압오차 (Voltage error)		below ±0.5%
사용주위온도 (Ambient temperature)		-25°C ~ +40°C
온도오차 (Temperature error)		below ±2%
사용주위습도 (Ambient humidity)		45 ~ 85% RH
내전압 (Withstand voltage)	전기회로대지 (Electric circuit earth)	AC 2,000V/min
	독립회로상호간 (Between each circuits)	AC 1,500V/min
	접점 gap 간 (Between contact gaps)	AC 1,000V/min
절연저항 (Insulation resistance)		above 100MΩ (DC500V. Meg)
내진동 (Withstand vibration)		16.7Hz double amplitude 4.0mm
내충격 (Withstand impact)		30G
소비전력 (Power consumption)		기술자료 17-3 참조 (Refer to Technical Data 17-3)

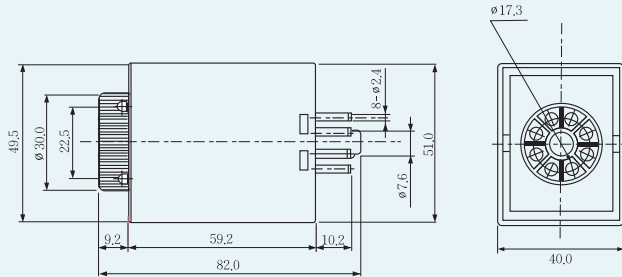
**형식 및 시간 사양 | Type & Time spec.**

형 식 (Type) YSLT 노출형 (소켓부착용) Exposed type (For socket attachment)	시간사양 (Time spec.)			조작전압 (Operating voltage)	비 고 (Note)
	최대눈금 (Max.scale)	최소눈금 (Min.scale)	제어시간범위 (Control time range)		
YSLT-03S	3 sec	0.05 sec	0.05sec ~ 3 sec	AC110V, AC220V, DC 110V, DC 125V, DC 220V	DC Timer는 60M까지임. (DC Timer time range is 60M Max)
YSLT-06S	6 sec	0.1 sec	0.1 sec ~ 6 sec		
YSLT-12S	12 sec	0.2 sec	0.2 sec ~ 12 sec		
YSLT-30S	30 sec	0.5 sec	0.5 sec ~ 30 sec		
YSLT-60S	60 sec	1 sec	1 sec ~ 60 sec		
YSLT-03M	3 min	3 sec	3 sec ~ 3 min		
YSLT-06M	6 min	6 sec	6 sec ~ 6 min		
YSLT-12M	12 min	12 sec	12 sec ~ 12 min		
YSLT-30M	30 min	30 sec	30 sec ~ 30 min		
YSLT-60M	60 min	60 sec	60 sec ~ 60 min		
YSLT-03H	3 Hr	3 min	3 min ~ 3 Hr		
YSLT-06H	6 Hr	6 min	6 min ~ 6 Hr		
YSLT-12H	12 Hr	12 min	12 min ~ 12 Hr		
YSLT-24H	24 Hr	24 min	24 min ~ 24 Hr		

※ OFF Timer는 순시 Relay가 내장안됩니다. (Instantaneous relay is not built-in for OFF timer.)  
 ※ OFF Timer는 6M 이내로 주문바랍니다. (As for OFF Timer, please order within 6M.)

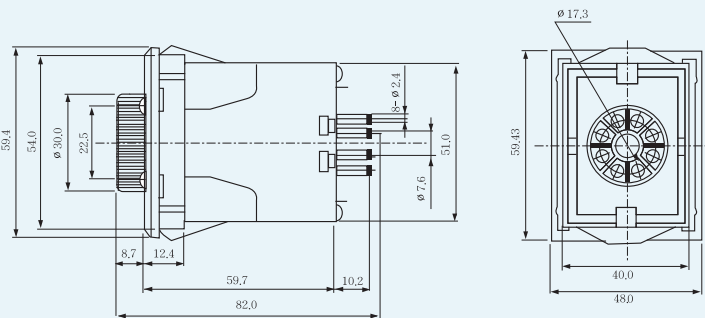
YS LT-1, YS OT-1

※ 적용 소켓 (Applied Socket) : YSSK08



YS LT-2, YS OT-2

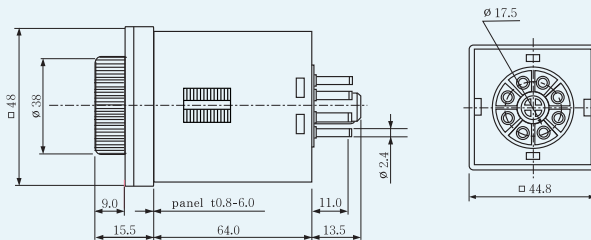
※ 적용 소켓 (Applied Socket) : YSSK08



※ 노출형과 동일제품이니 매입형으로 사용시는 Bracket를 별도 구입 바랍니다.  
(If you need the retreated type, purchase the bracket separately please.)

YS LT-5, YS OT-5

※ 적용 소켓 (Applied Socket) : YSSK08F



접속도 / 동작 Pattern | Connection Diagram / Operating Pattern

형식 (Type)	접속도 (Connection diagram)	동작 (Operating pattern)
YSLT (AC110V or 220V) DC220V 한시 1C, 순시 1C (Time delay 1C, Instantaneous 1C)		입력(input) (2-7) 순시(Instantaneous) (1-3) 순시(Instantaneous) (1-4) 한시(time delay) (8-6) 한시(time delay) (8-5)
YSLT (AC110V or 220V) 한시 2C (Time delay 2C)		입력(input) (2-7) 한시접점 a (time delay a contact) (1-3)(8-6) 한시접점 b (time delay b contact) (1-4)(8-5)
YSOT (AC110V~220V DC110V~220V free or DC24V) 한시 2C (Time delay 2C)		입력(input) (2-7) 한시접점 a (time delay a contact) (1-3)(8-6) 한시접점 b (time delay b contact) (1-4)(8-5)
YSLT-D (DC24V/110V/125V) 한시 1C (Time delay 1C)		입력(input) (2-7) 한시접점 a (time delay a contact) (8-6) 한시접점 b (time delay b contact) (8-5)

패널 가공 치수 (매입형) | Cut-out Dimension (Retreated type) | (unit : mm)

