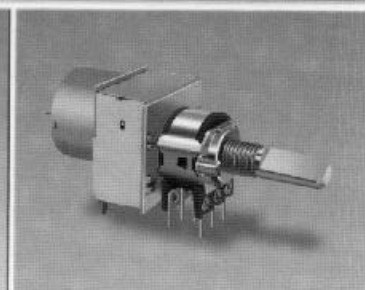
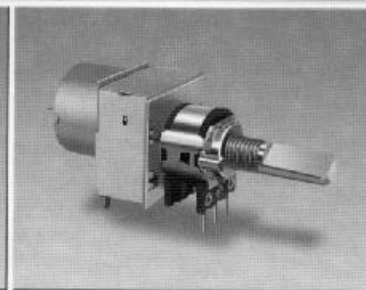
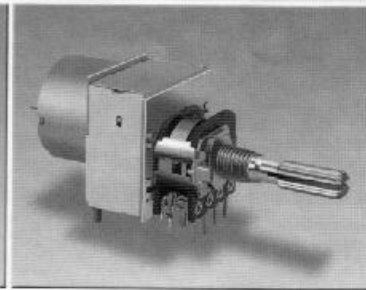
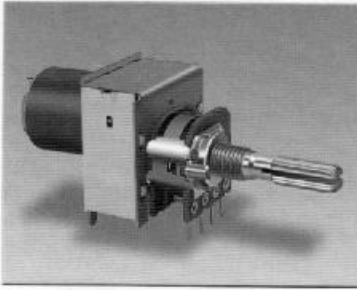


MD16M1HBRT-B3

MD16M2HBRT-B3

MD16M1HB-B3

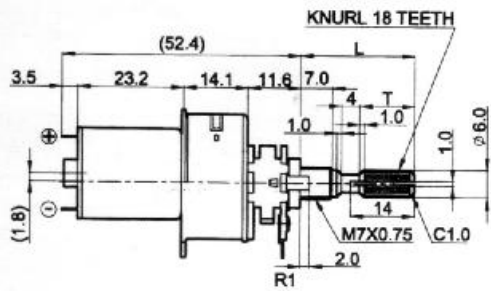
MD16M2HB-B3



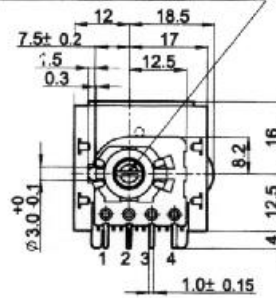
Outline Drawing

Features individual specifications

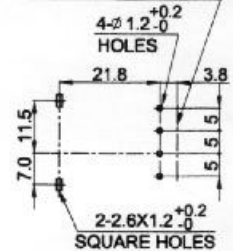
MD16M1HBRT-B3



SHAFT SLOT IS OPTIONAL ANGLE

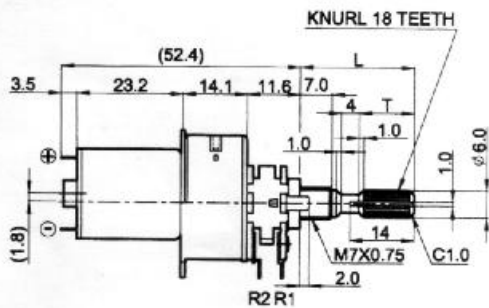


MOUNTING SURFACE

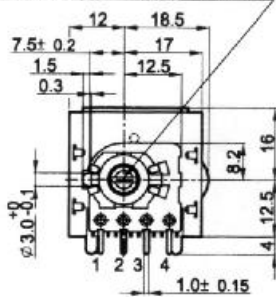


P.C.B MOUNTING DETAIL
TOLERANCES ± 0.1
VIEWED FROM MOUNTING SIDE

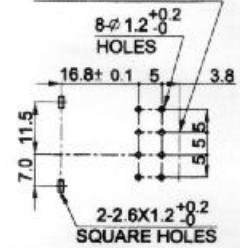
MD16M2HBRT-B3



SHAFT SLOT IS OPTIONAL ANGLE

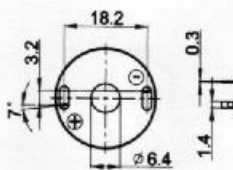


MOUNTING SURFACE

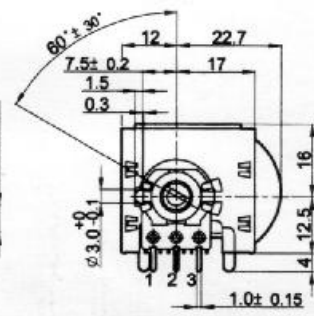
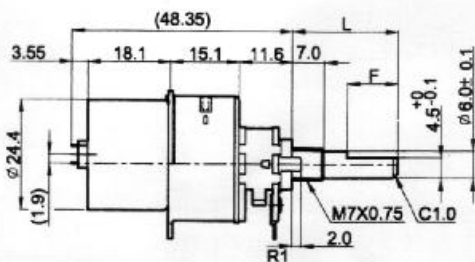


P.C.B MOUNTING DETAIL
TOLERANCES ± 0.1
VIEWED FROM MOUNTING SIDE

MD16M1HB-B3

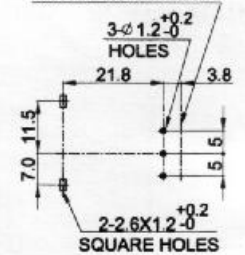


MOTOR BACK VIEW



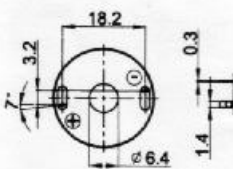
SHAFT SHOWN IN
FULL C.C.W POSITION

MOUNTING SURFACE

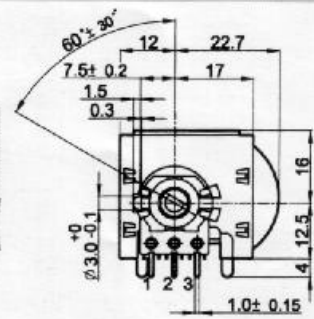
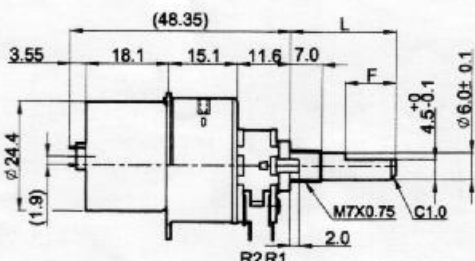


P.C.B MOUNTING DETAIL
TOLERANCES ± 0.1
VIEWED FROM MOUNTING SIDE :

MD16M2HB-B3

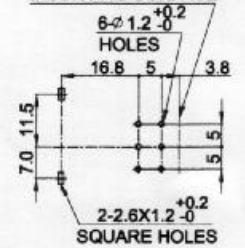


MOTOR BACK VIEW



SHAFT SHOWN IN
FULL C.C.W POSITION

MOUNTING SURFACE



P.C.B MOUNTING DETAIL
TOLERANCES ± 0.1
VIEWED FROM MOUNTING SIDE:

16M Series Code Explanation

MD 16M 1 KS H 5 B P 9 F RT - B 20 K - B 50K - 1C - □ □ □
 1 2 3 4 5 6 7 8 9 10 11 12 13 14 15 16 17 18

(Drawing 4)

KM - Type								K - Type									
F - Type								S - Type									
R - Type																	
B:5m/m								B:6.5m/m									
Shaft - Type	L	10	15	20	25	30	35	40	Shaft - Type	L	10	15	20	25	30	35	40
K	T1	3.5	6.5	11	14	14	14	14	K(M)	T1	2.4	6.5	11	14	14	14	14
	T	3.2	6	10	12	12	12	12		T	2.2	6	10	12	12	12	12
	M	0.5	1	2	4	4	4	4		M	0.5	1	2	4	4	4	4
F	F	4	7	12	14	14	14	14	F	F	2.5	7	12	14	14	14	14
R . S	L	10	15	20	25	30	35	40	R . S	L	10	15	20	25	30	35	40

Mechanical Characteristic:

Total rotational angle	$300^{\circ} \pm 5^{\circ}$
Rotational torque	20~200gf.cm
Detent position	Center detent or 11, 24, 41 position clicks
Detent slip out force	Rotational torque +30~100gf.cm
Shaft stopper strength	$\geq 6\text{kgf.cm}$
Shaft wobble(mm p-p)	Within $(0.7XL/30)\text{mm p-p}$ Max.L=Shaft Length

Electrical Characteristic:

Total resistance & tolerance	$500\Omega < R < 1M\Omega$: $\pm 20\%$, other : $\pm 30\%$	
Resistance taper	Refer to Standard Resistance Taper	
Power rating	Linear taper 0.2W; Other taper 0.1W	
Max. operating voltage	Linear taper 200V; Other taper 150V	
Rotational noise	$\leq 47\text{mV}$	
Insulation resistance	$\geq 100M\Omega$ at DC 500V	
Withstanding voltage	1 minute at AC 500V	
Tracking error (Stereo)	For volume control	Within 3dB at -40 ~ 0dB
	For tone control	Within 2dB at 50% Position
Tracking error (Multi gangs)	For volume control	Within 3dB at -40~0dB (Special \leq Within 1.5dB at -60 ~ 0dB)

Durability:

Rotation life	$\geq 10,000$ cycles (special: 1,000K cycles)
---------------	---