

L903 SERIES

FEATURES

- Flanged cover suitable for screw fasten or snap-in mounting track.
- 1A (1PST) and 1C (1PDT) contact form.
- Up to 30A switching capacity in 1PST and 20A switching in 1PDT arrangement.
- Using at home appliance, power switching appliances, car controller, heating, ventilating, and conditioning systems, etc.



UL FILE NO.: E126167
 CUL FILE NO.: E126157
 TUV FILE NO.: R50008132

ORDERING INFORMATION

L903 A — 12 A
 1 2 3 4

1. Type

- L901 : Double Connect Type1
 (PCB Terminal and Quick Connect Terminal)
 L902 : Double Connect Type2
 (PCB Terminal and Quick Connect Terminal)
 L903 : Out line Connect Type with Flanged Cover

2. Contact Arrangement

- Nil : 1 Form C(1PDT)
 A : 1 Form A(1PST-NO)
 B : 1 From B(1PST-NC)

3. Coil Nominal Voltage

4. Coil Nominal Voltage Type

- D : DC
 A : AC

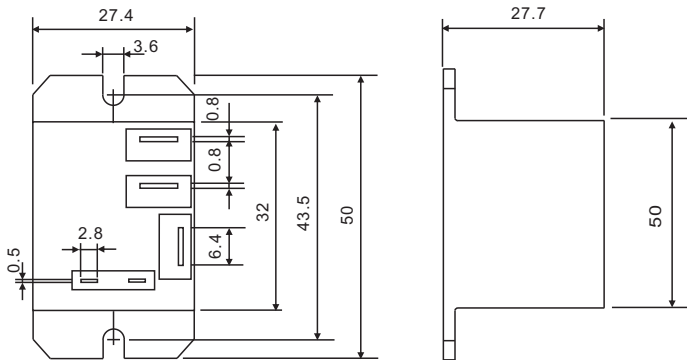
COIL DATA(at 25°C)

DC 0.9 W				AC 1.2 VA			
Coil Nominal Voltage (VDC)	Resistance Tol.±10% (Ohms)	Maximum Pick Up Voltage (V)	Minimum Drop Out Voltage (V)	Coil Nominal Voltage (50/60Hz)	Resistance Tol.±10% (Ohms)	Maximum Pick Up Voltage (V)	Minimum Drop Out Voltage (V)
5	27	3.75	0.5	6	10	5.1	0.6
6	40	4.5	0.6	12	43	10.2	1.2
9	97	6.75	0.9	24	160	20.4	2.4
12	155	9.0	1.2	110	3,160	93.5	11.0
18	380	13.5	1.8	220	13,490	187.0	22.0
24	660	18.0	2.4	277	19,900	235.4	27.7
48	2,560	36.0	4.8				

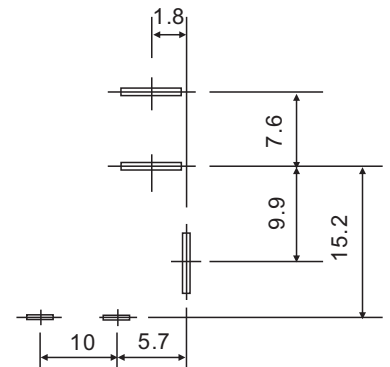
CONTACT RATING

1A(1PST-NO)	Resistive (Cos.θ = 1)	AC 240V / 30A	AC 277V / 20A	DC 30V / 20A
1B(1PST-NC)	Resistive (Cos.θ = 1)	AC 240V / 20A	AC 277V / 15A	DC 30V / 10A
1C(1PDT)	Resistive (Cos.θ = 1)	NO : AC 240V / 30A	NO : AC 277V / 20A	NO:DC 30V / 20A
	Resistive (Cos.θ = 1)	NC : AC 240V / 20A	NC : AC 277V / 15A	NC:DC 30V / 10A

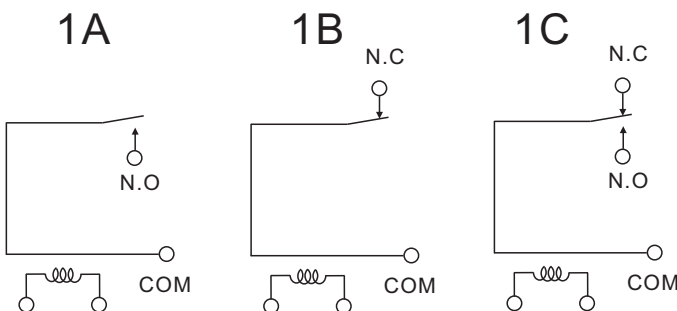
DIMENSIONS(mm)



P.C.B LAYOUT
(BOTTOM VIEW)



WIRING DIAGRAM(BOTTOM VIEW)



GENERAL DATA

Insulation Resistance	500 MΩ Min. (DC 500V)
Dielectric Strength	1,500 VAC, 50/60Hz between contact.
	2,000 VAC, 50/60Hz between all elements.
Contact Material	Silver- Cadmium Oxide as standard.
Contact Resistance	50 milliohms max. (initial value)
Shock Resistance	Malfunction: 10G(11ms) ; Destructive: 100G(6ms)
Vibration Resistance	Malfunction: 10 to 55 Hz. at Double Amplitude of 1.5 mm
	Destructive: 10 to 55 Hz. at Double Amplitude of 1.5 mm
Operation Time	15 ms max.
Release Time	15 ms max.
Temperature Range	- 55°C ~ + 85°C
Expected Life	With operation rate 30/min.
	Mechanical - 10,000,000 operations min.
	Electrical - 100,000 operations min. at rated load.
Weight	34 grams