

PRODUCT SPECIFICATIONS

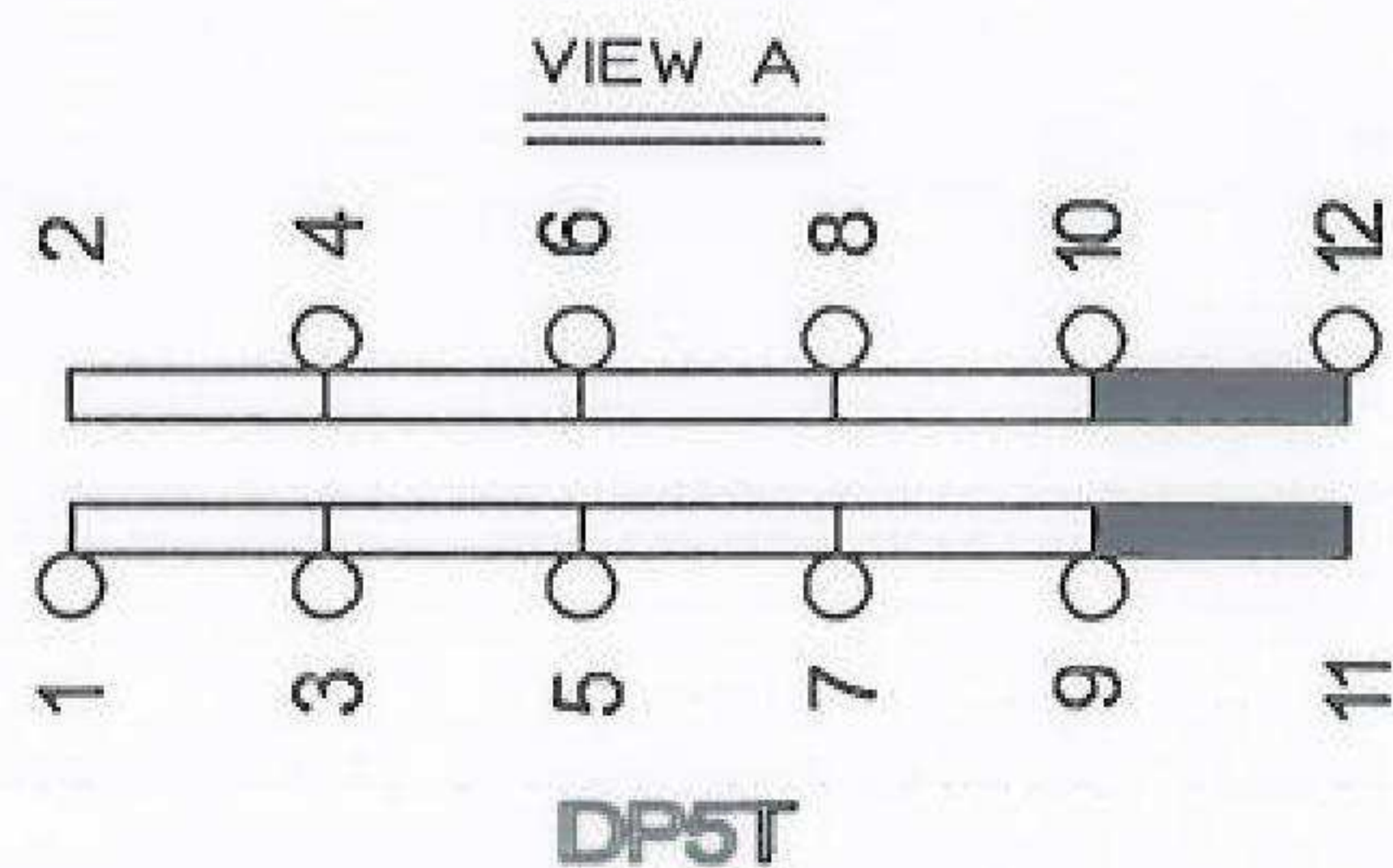
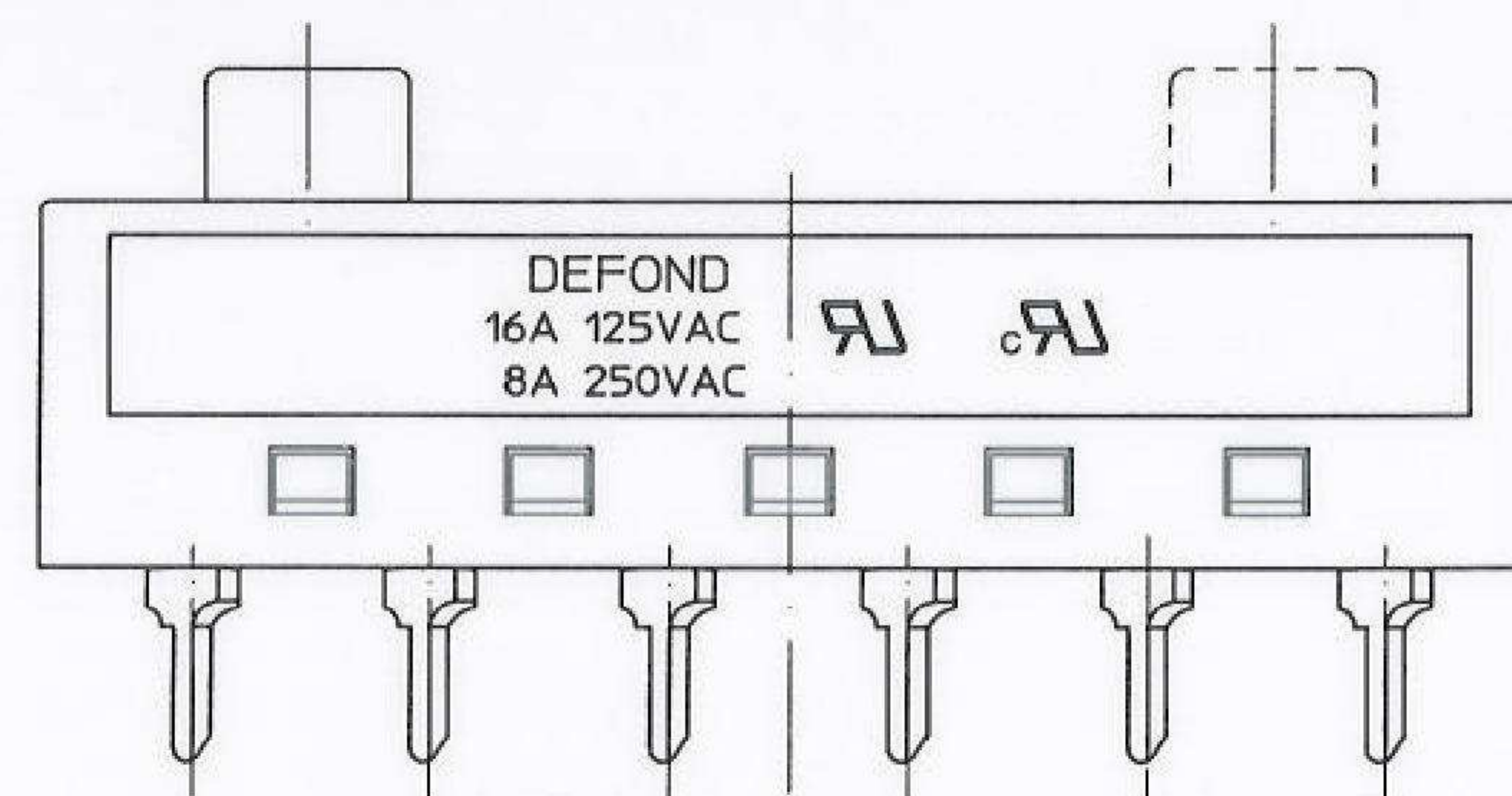
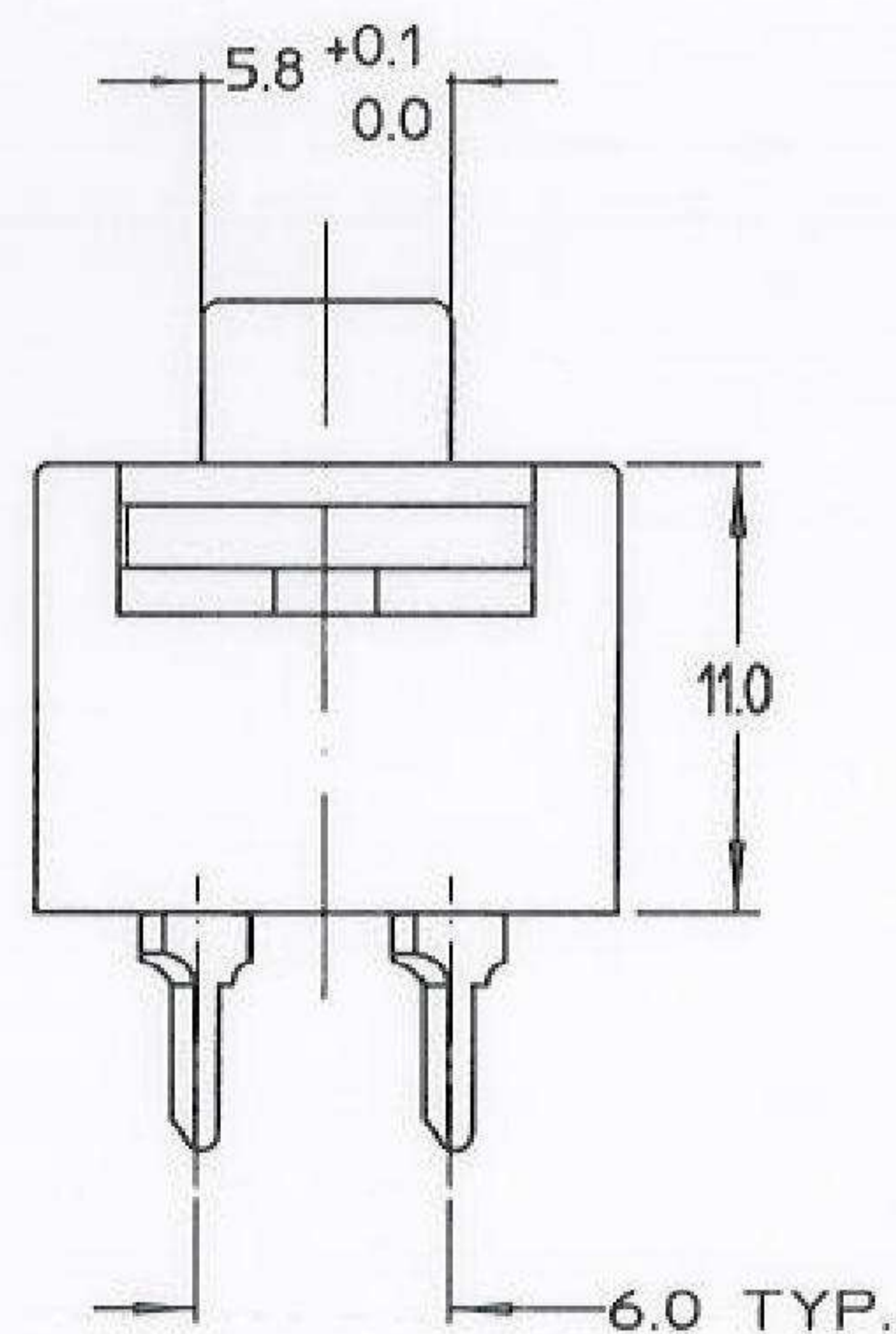
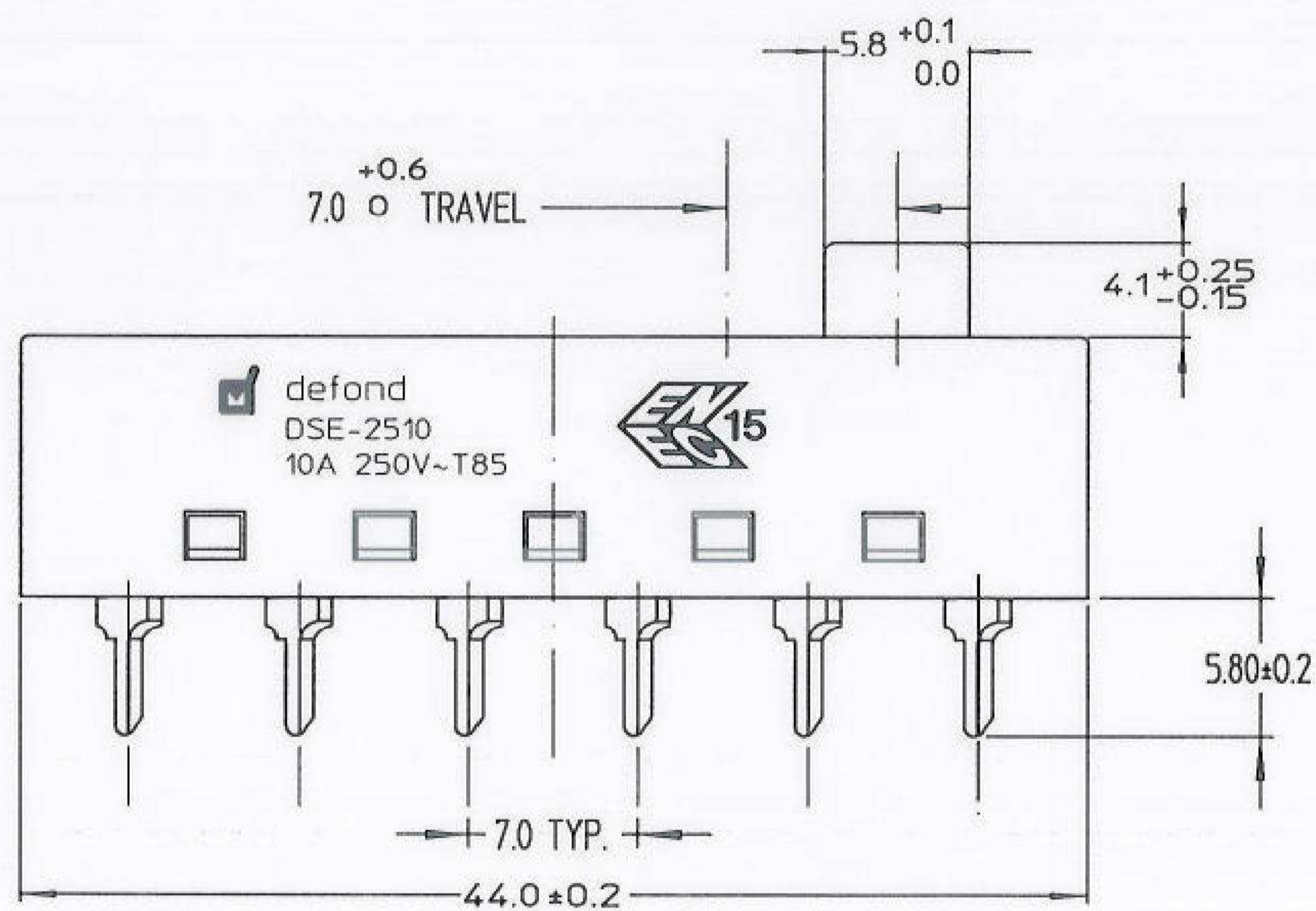
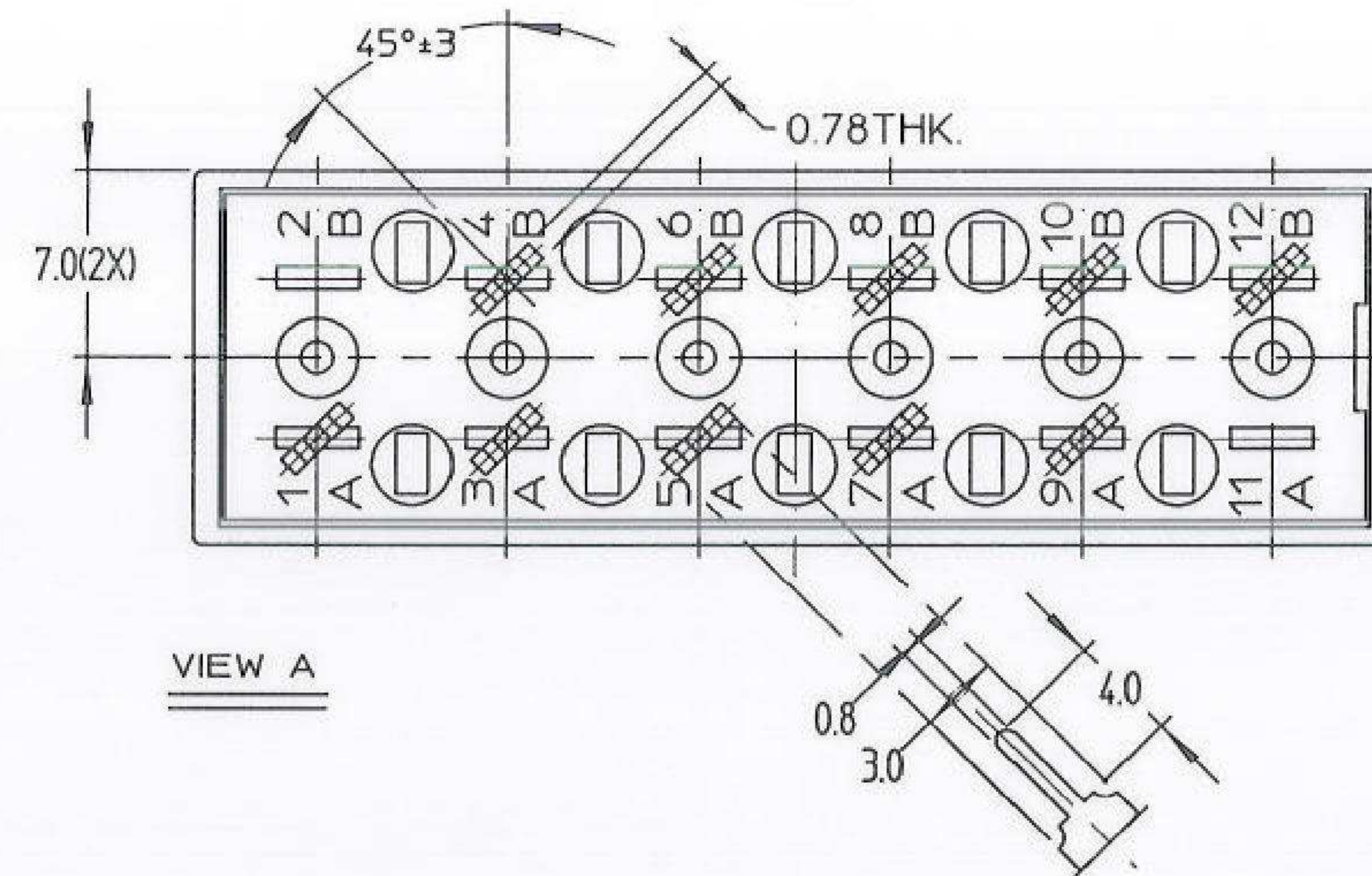
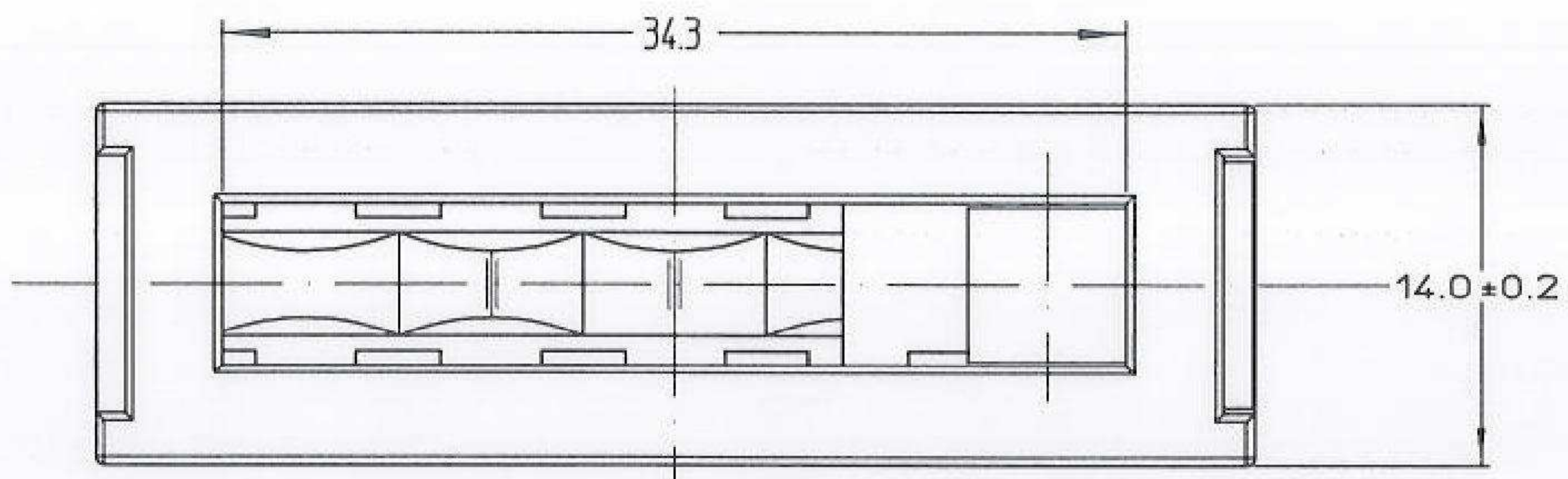
File No : DSE-PSA0102 (REV02)

I. Specifications:

- | | | | | |
|------|-----------------------|---|-----------------------------------|---------------|
| 1) | RATING | : | 16A 125VAC, 8A 250VAC | UL CUL |
| 2) | FUNCTION | : | DP 5T | |
| 3) | OPERATION FORCE | : | 650 +/- 250 gf | |
| 4) | INSULATION RESISTANCE | : | 50M ohm Min. | |
| 5) | DIELECTRIC WITHSTAND | : | 1,000V / min. /0.5mA | (UL1054) |
| 6) | CONTACT RESISTANCE | : | 20m ohm Max. | |
| 7) | TEMPERATURE RISE | : | 30degC Max. | (UL1054) |
| 8) | OPERATING LIFE | : | 6,000 cycles | (UL1054) |
| 9) | CONTACT SPACING | : | 1.2mm Min. | |
| * 1) | RATING | : | 10A 250V~ T85 | DSE-2510 ENEC |
| 2) | FUNCTION | : | DP 5T | |
| 3) | OPERATION FORCE | : | 650 +/- 250gf | |
| 4) | INSULATION RESISTANCE | : | 50M ohm Min. | |
| * 5) | DIELECTRIC WITHSTAND | : | 3000V/100mA/5S (BEFORE END. TEST) | |
| | | | 2250V/100mA/5S (AFTER END. TEST) | |
| | | | (IEC 61058-1) | |
| 6) | CONTACT RESISTANCE | : | 20m ohm Max. | |
| * 7) | TEMPERATURE RISE | : | 45degC Max. (BEFORE END. TEST) | (IEC 61058-1) |
| | | | 55degC Max. (AFTER END. TEST) | (IEC 61058-1) |
| * 8) | OPERATING LIFE | : | 5,000 cycles at 85degC | (IEC 61058-1) |
| | | | 5,000 cycles at 24degC | (IEC 61058-1) |
| 9) | CONTACT SPACING | : | 3mm Min. | |

II. REMARK:

- | | | |
|------|-------------|----------|
| 1) | UL/CUL NO.: | DSE-2516 |
| * 2) | ENEC NO.: | DSE-2510 |



NOTE : OPERATING FORCE : 650 ± 250 gf

01	0	INITIAL RELEASE	rspeng	福	Jul24,2012
REV.	REF.	DESCRIPTION	DWN.BY	CHK.BY	DATE
TITLE SLIDE SWITCH			MATERIAL /		
MODEL DSE-2516-GAP31-01R	DWG. NO. /	DWN.BY rspeng	APP.BY /		
PART NO. /	SCALE 2 : 1(A4)	DATE May 31.12	DATE /		
TOLERANCE UNLESS OTHERWISE SPECIFIED X±0.20 X±0.15 .XX±0.10 L±1°				(UNIT IN MM)	