

SPECIFICATIONS

規 格 書

ROTARY ENCODER

編 碼 器

MODEL NO.產品型號: ED1110S-7-20C20-20F

ISSUE DATE 發出日期: 20-04-2015

CUSTOMER APPROVAL

客 戶 核 准

NAME OF CUSTOMER 客戶名稱: TRIM-POT

CUSTOMER P/N.客戶產品編號 :

Please sign this sheet after your approval & kindly return us a ref .Copy!

貴客核准後,請提供參考副本!

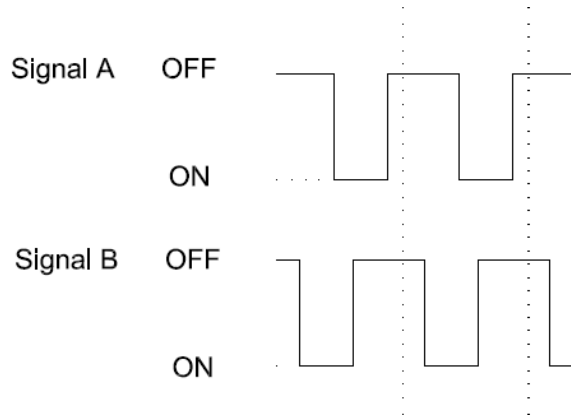
APPROVAL SIGNATURE & DATE 核准簽署及日期

→ → → GENERAL SPECIFICATIONS ← ← ←

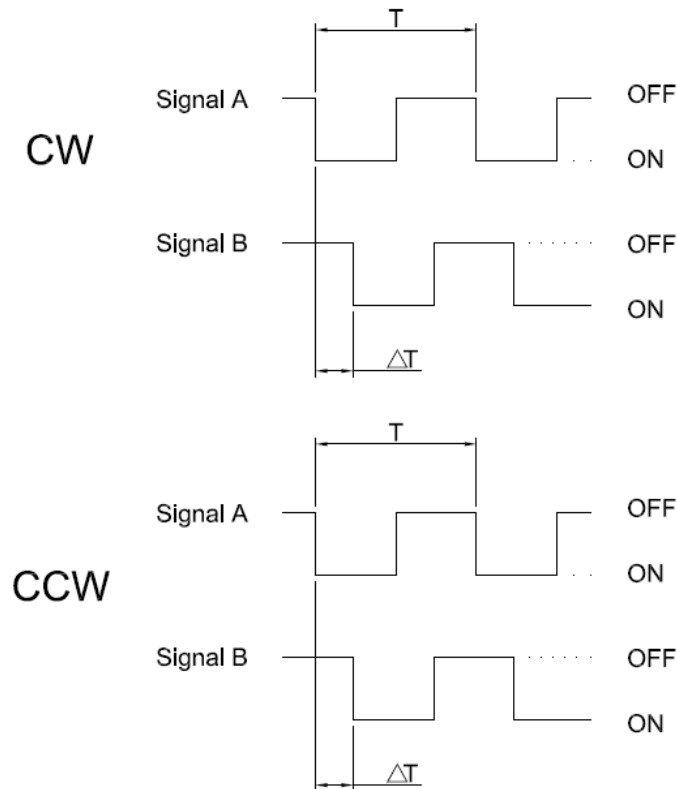
MODEL NO.	Ed1110s
-----------	---------

Electrical Characteristics

1. Output signal format:



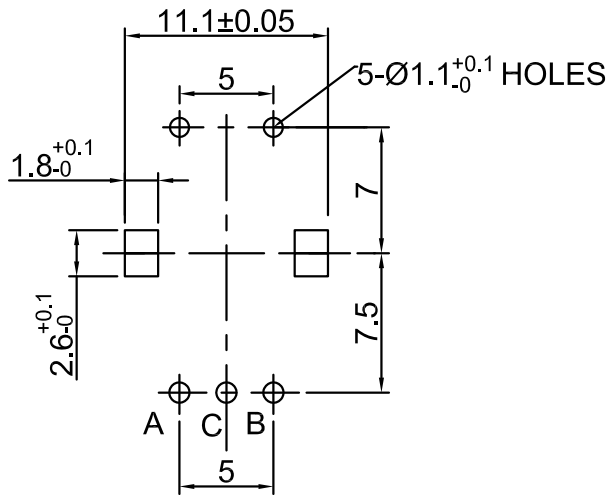
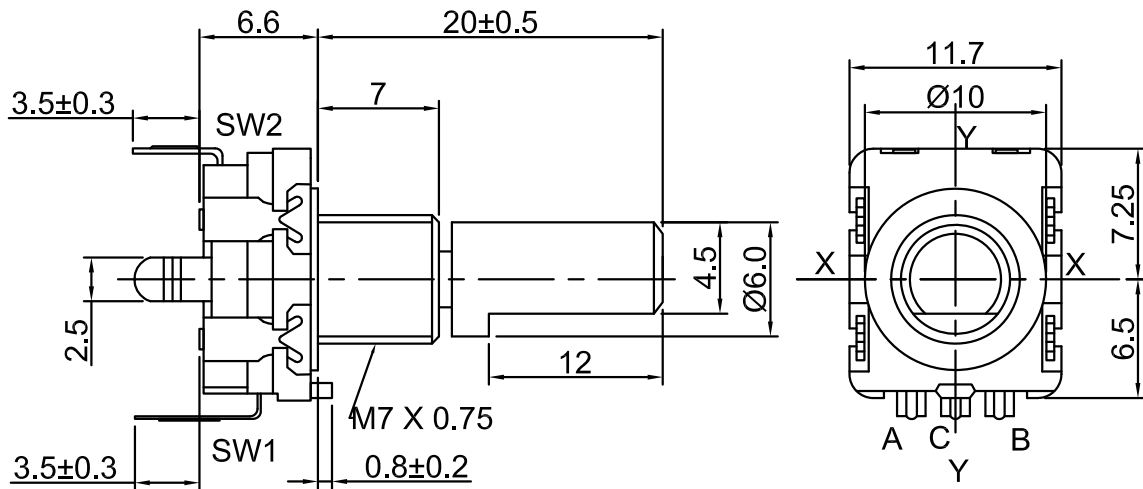
2. Phase-difference: $\Delta T \geq 0.08T$



→→→ GENERALSPECIFICATIONS ←←←

MODHL NO.	ED1110S
------------------	----------------

<u>Electrical Characteristics</u>	
3.Resolution	: <u>20 Pulses / 360°</u>
4. Power Rating	: DC 5V 10mA
5. Insulation Resistance	: More than 100 MΩ at 250 V DC
6. Voltage Proof	: 1 minute at 300 V AC
7.Contact Noise	: t2 < 2ms
<u>Mechanical Characteristics</u>	
1.Total Rotatgional Angel	: 360°
2. Number and Position of Detent	: 20 Detent (Step Angle : 18°±3°
3. Rotational Torque (With Detent)	: 30~150gf.cm
4.Rotational Torque (Without Detent)	: N/A
5. Push-Pull Strength	: 8.Kgf.(Max.)
6. Shaft Wobble	: 0.7x L/30mm p-p(Max)
7. Shaft Bending	: 0.4mm(Max.)
8. Bushing Nut Tighting Stringth	: 8Kgf.Cm(Max)
<u>Switch Characteristics</u>	
1.Switch Circuit	: S. P. S. T
2.Power Rating	: DC 16V 3A
3.Switch Travel	: 0.5 ±0.3mm
4.Operating Torque	: 600 ±300gf
5.Contact Rsistance	: 100 MΩ
6. Insulation Resistance	: More than 100 MΩ at 250 V DC
7. Voltage Proof	: 1 minute at 300V AC
8. Operating Life	: 15,000 cycles(Min.)
<u>Other Characteristics</u>	
1.Rotational Life	: 15,000 Cycles(Min.)
2.Soldering Conditions	: Max.280°C within 3 seconds
3.Operating Temperature	: -10°C - +70°C
4.Storage Temperature	: -40°C - +85°C
5.Dimensions	: See Attached Drawing
6.Life Cycle Testing Conditional	: 500 cycles per Hour



		Tolerances Unless Otherwise Specified		
SCALE	UNIT	$L \leq 10$	± 0.3	DRAWING TITLE
	mm	$10 < L < 100$	± 0.5	
Revision Notes		$100 < L$	± 0.8	
		Angular Dimension	$\pm 5^\circ$	DRAWING NAME
				ED1110S-7
				DRAWING NO.
				ED1110S-7-001